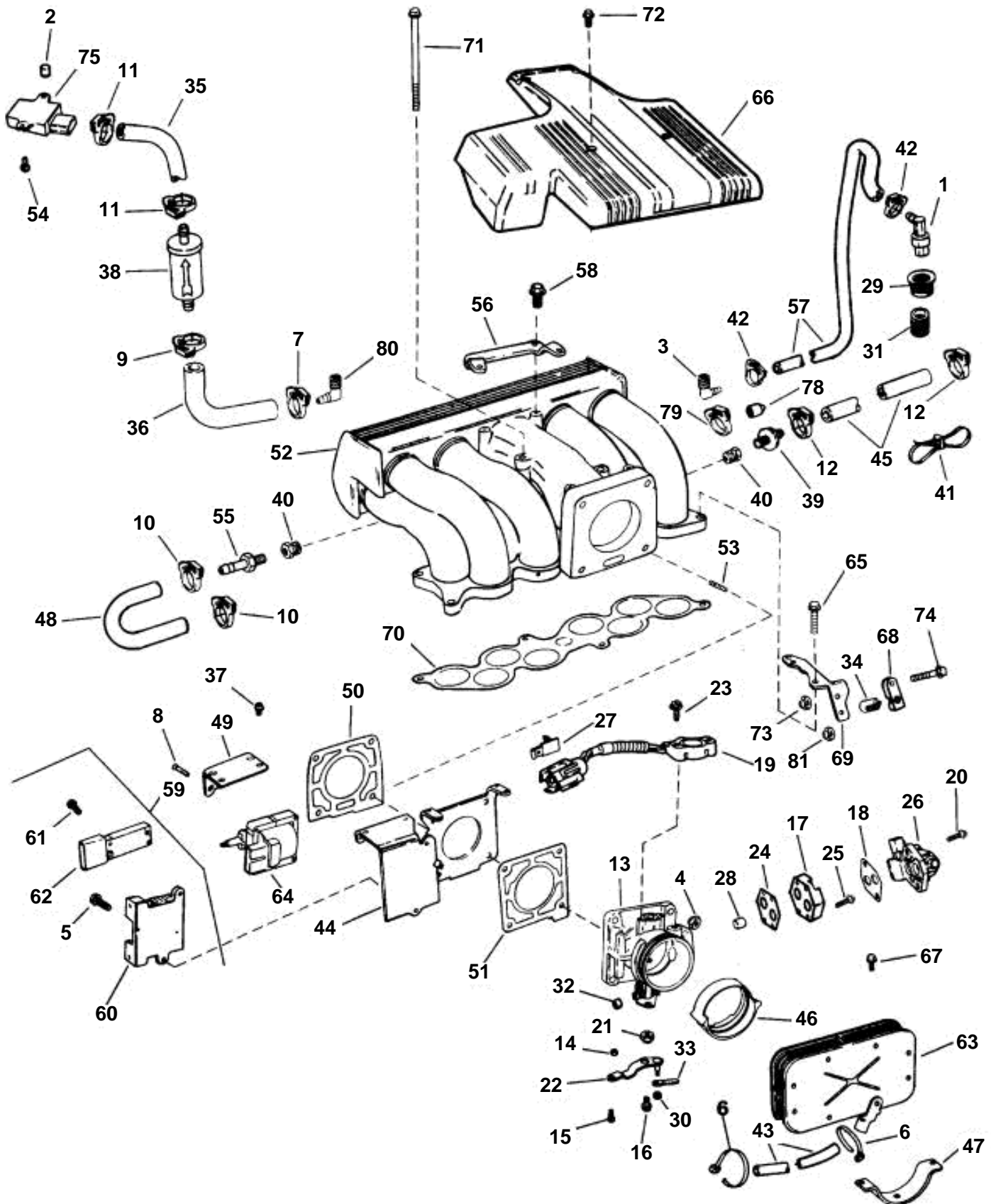


# UPPER INTAKE MANIFOLD-5.0 LITER Fi



# UPPER INTAKE MANIFOLD-5.0 LITER Fi

REF	PART NO.	QTY	DESCRIPTION	NOTES
1	3852820	1	Valve	
2	3853537	2	Protective cap, MAP sensor screw	
3	3852480	1	Riser, PCV valve to intake manifold	
4	3852142	4	Nut, Throttle body	
5	3852080	2	Screw, TFI module	
6	3852158	1	Lock strap, Hose	
7	3852529	1	Clamp, Filter, hose to intake	
8	3852168	2	Screw, E-coil	
9	3852170	1	Clamp, Hose, filter	
10	3852171	1	Clamp, Hose, pressure regulator	
11	3852170	2	Clamp, Hose, MAP sensor	
12	3852529	1	Clamp, Hose, reservoir	
13	3854277	1	Throttle body	
14	3852077	1	· Nut, Throttle lever	
15	3852066	1	· Screw, Throttle lever	
16	3852212	1	· Screw, Throttle lever	
17	3853612	1	· Adapter, Air bypass solenoid	
18	3853613	1	· Gasket, Air bypass solenoid	
19	3850988	1	· Sender	
20	3853614	2	· Screw, Air bypass solenoid	
21	3853627	1	· Nut, Throttle lever	
22	3850353	1	· Lever, Throttle body	
23	3850986	2	· Screw, Throttle sensor	
24	3853613	2	· Gasket, Adapter to solenoid	
25	3853614	2	· Screw, Solenoid adapter	
26	3850987	1	· Valve, Throttle air bypass	
27	3853734	1	· Clip, Connector	
28	3853748	1	· Filter, Noise suppresser	
29	3853767	1	Grommet, PCV valve	
30	3853729	1	Nut, Throttle cable	
31	3853768	1	Filter, Crankcase vent	
32	3853772	1	Cover, Idle screw	
33	3852019	1	Retainer, Throttle cable	
34	3850941	1	Adapter, Throttle cable	
35	3854903	1	Hose, MAP sensor to filter	Cut to length, 4 inches
36	3853641	1	Hose, Filter to intake manifold	
37	3852212	2	Screw, E- coil bracket	
38	3852224	1	Fuel filter, MAP sensor	
39	3852225	1	Impulse limiter, Pulse	
40	3852465	2	Bushing	
41	3852486	1	Lock strap	
42	3852529	1	Clamp, PCV valve	
43	3853723	1	Hose, Valve cover to arrestor	
44	3853763	1	Bracket, TFI module & E-coil	
45	3853582	1	Hose, Reservoir to pulse limiter	
46	3853594	1	Grommet, Flame arrestor	
47	3853595	1	Clamp, Flame arrestor	
48	3853619	1	Hose, Pressure regulator	
49	3853625	1	Bracket, E-coil to TFI bracket	
50	3853629	1	Gasket, Bracket to manifold	
51	3853630	1	Gasket, Bracket to throttle body	
52	3850777	1	Manifold, Upper intake	
53	3852176	4	· Stud, Throttle body	
54	3852208	2	Screw, MAP sensor	
55	3853639	1	Fitting, Pressure regulator	
56	3853652	1	Bracket, Cover	
57		2	HOSE, PCV Valve	Cut to length from 3/8 I.D. hose
58	3853661	2	Screw, Flame arrestor bracket	
59	3854139	1	Control unit, TFI	
60	3854272	1	· Level sensor	
61	3854273	2	· Screw	
62	3854274	1	· Control unit, TFI	
63	3854144	1	Flame shield	
64	3854161	1	Coil	

7797017 - - 0-0010

GR999909

Upd: 21 MAR 2006

HU 5.0 FL, 5.8 FL; 5.0 Fi, 5.8 Fi; 5.8 Fsi

**VOLVO**  
**PENTA**

# UPPER INTAKE MANIFOLD-5.0 LITER Fi

REF	PART NO.	QTY	DESCRIPTION	NOTES
65	3853638	4	Screw, Intake manifold	
66	3853571	1	Cover, Flame arrestor	
67	3853722	2	Screw, Flame arrestor clamp	
68	3850266	1	Anchorage, Throttle cable	
69	3850225	1	Bracket, Throttle	
70	3853637	1	Gasket, Upper to lower intake	
71	3853635	2	Screw, Upper to lower intake	
72	3853662	4	Screw, Flame arrestor sover	
73	3852118	1	Nut, Throttle anchor	
74	3852048	1	Screw, Cable anchor	
75	3854160	1	Sender, Manifold air pressure	
78	3853745	1	Cover, Nipple	
79	3852529	1	Clamp, Nipple	
80	3852480	1	Riser, MAP sensor	
81	3853729	1	Nut, Throttle cable adapter	
	3854988	1	Decal	